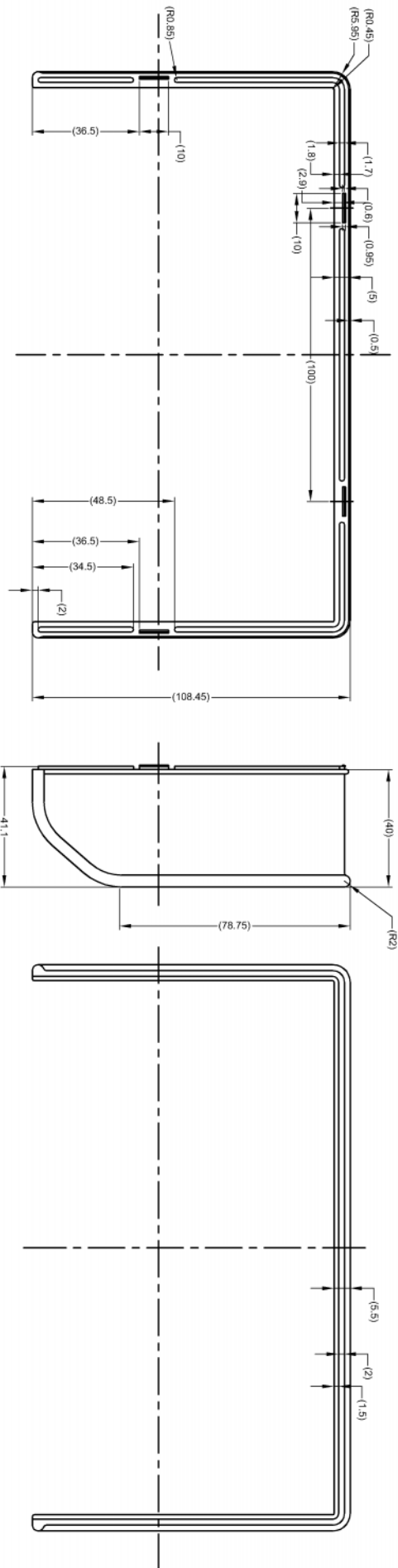
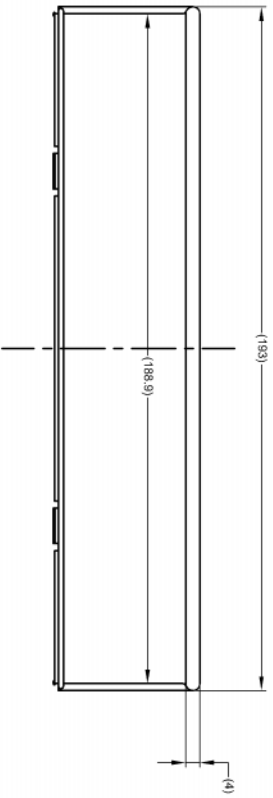


Revision Notes:

Drawn: -    Checked: -    Approved: -    Date: -



- NOTES:
1. MATERIAL:ABS.
  2. FINISH:SMOOTH, DARK GREY SPRAY.

PROPRIETARY NOTICE  
 THIS DESIGN AND TECHNICAL INFORMATION APPEARING ON THIS DRAWING IS THE PROPERTY OF BRIGADE ELECTRONICS AND IS DISCLOSED IN CONFIDENCE. IT IS NOT TO BE COPIED, REPRODUCED, REVEALED TO OR EXPLOITED BY OTHERS, EITHER IN WHOLE OR IN PART WITHOUT THE EXPRESS WRITTEN CONSENT OF BRIGADE ELECTRONICS.

**BRIGADE**<sup>®</sup>  
 www.brigade-electronics.com

Assembly Pl Approval TROY CHOI (30/08/12)		Approved by SMATTHEWS		Checked by JNEWMAN		Drawn by LBRAR	
Angle of Projection  Third Angle		Units mm	Scale N/A	Released 03/09/12	Assembly Ref 4DBECL720		
Status RELEASED		Part No 3960		BE-870XM-SS			
				BE-002134-00-12			